

# Installation Instructions

## LT46 Hand Tool Rack

for use with LT45 Storage Basket

### Before You Begin Installing:

1. Read and understand these instructions completely.
2. Verify that you have received all the parts listed in the bill of materials for your model number.

### CAUTION

Always wear safety glasses when using power tools.

### Tools Required:

- (2) 9/16" Wrenches and/or Sockets
- (2) 1/2" Wrenches and/or Sockets
- Electric Drill

1. Using four 3/8" – 16 x 2.25" carriage bolts (4A), the four 3/8" washers (4B), and four nylock nuts (4C), mount the posts (1) onto the front or back panel of the LT45 basket. The posts should be spaced 35" apart from hole-to-hole. (Figure 2)

2. Using four 3/8" – 16 x 2.25" carriage bolts and four nylock nuts, attach the top tool holder (3) to the top of the posts. (Figure 1)

### WARNING

Do not overtighten the nylock nuts for the top and bottom angles, as overtightening can lead to deformation.

Fig. 1

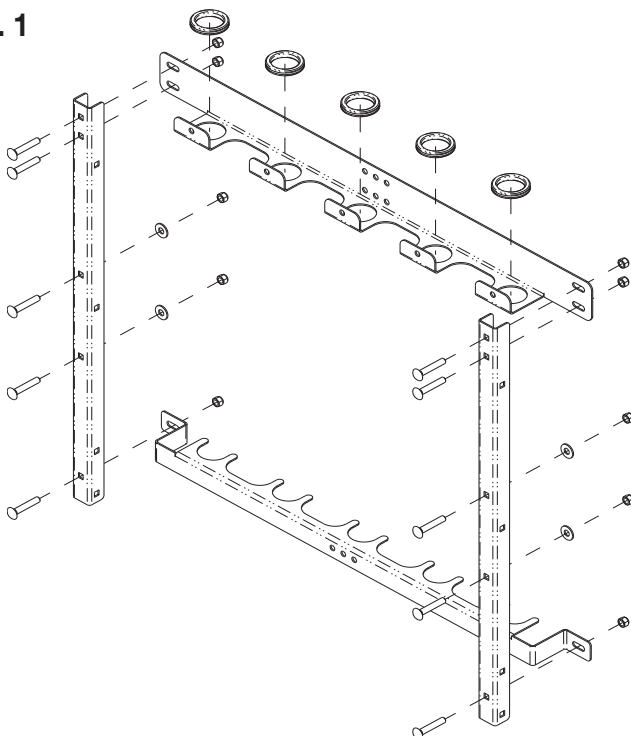
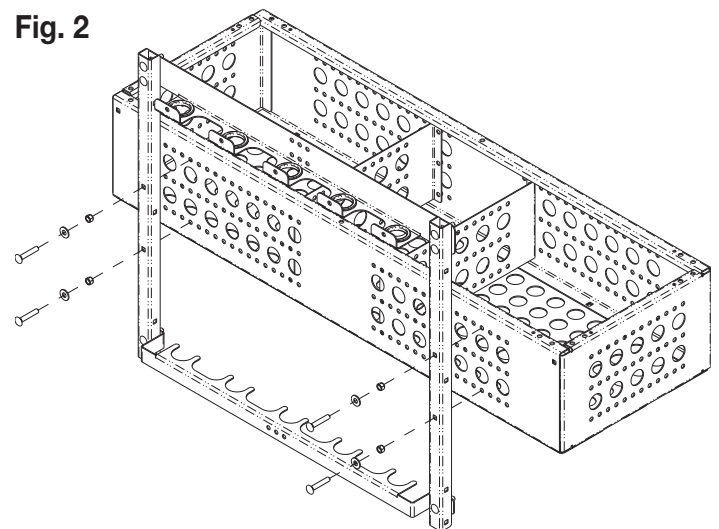


Fig. 2

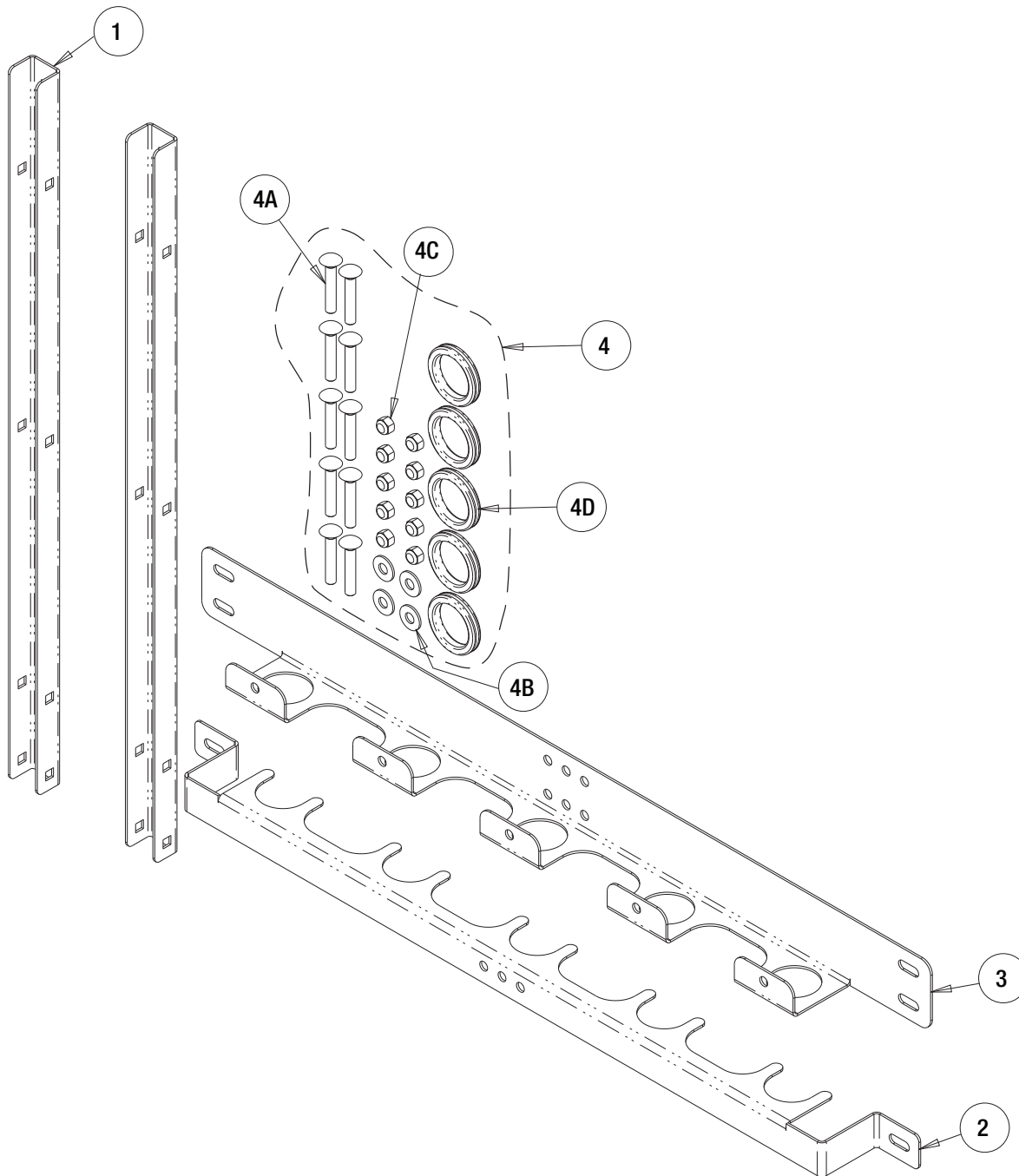


3. Mount the bottom tool holder (2) to the posts using the four remaining 3/8" – 16 x 2.25" carriage bolts and four nylock nuts. (Figure 1)

4. Insert the five grommets (4D) into the holes on the top tool holder (3).



## Bill of Materials



ITEM	PART NO.	QTY.	DESCRIPTION
1	3045342	2	POST, HAND TOOL RACK, LT46
2	3045338	1	ANGLE, BOTTOM, TOOL HOLDER, LT46
3	3045337	1	ANGLE, TOP, TOOL HOLDER, LT46
4	3045340	1	HARDWARE KIT, HAND TOOL RACK, LT46
4A	FCB037516225SS	10	CARRIAGE BOLT, 3/8-16X2-1/4, SST
4B	FWF038100007SS	4	USS FLAT WASHER, 3/8 SST
4C	FNE038016044SS	10	NYLOCK NUT, 3/8-16 SST
4D	3004167	5	2" RUBBER GROMMET

### Warranty

Buyers Products Co. warrants all truck/trailer hardware manufactured or distributed by it, to be free from defects in material and workmanship for a period of one year from date of shipment. Parts must be properly installed and used under normal conditions. Any product which has been altered, including modification, misuse, accident or lack of maintenance will not be considered under warranty. Normal wear is excluded. The sole responsibility of Buyers Products Co. under this warranty is limited to repairing or replacing any part or parts which are returned, prepaid, and are found to be defective by Buyers Products Co. Authorization from Buyers Products Co. must be obtained before returning any part. No charges for transportation or labor performed on Buyers' products will be allowed under this warranty.